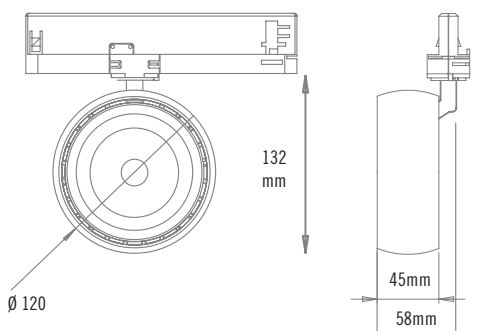




NEXIA

EYE

EYE is a spotlight that thanks to its lenses achieves a compact design while providing great control of light.



06103 -		EYE Spotlight Ø 120mm						
Colour	CRI / Temp.	Angle	Led	Dimming	Class			
0 White	C 830	1 15°	3 2000 lm/ 18 W	- No Dimming	II			
1 Black	N 840	3 36°	4 3000 lm/ 26 W	D Dali				
	H 927			B Bluetooth*				
	E 930							
	F 940							

605 g	90°	355°	1	IP 20	CRI=90	3-SDCM	50.000 h	230V	DRIVER	DRIVER <5%	LED	
-------	-----	------	---	-------	--------	--------	----------	------	--------	------------	-----	--

* Under request

DESCRIPTION

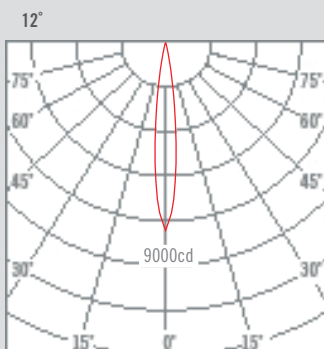
Spotlight with LED COB technology.
 Injected aluminium body and methacrylate lenses.
 Track adapter with integrated flicker-free driver.

INSTALLATION

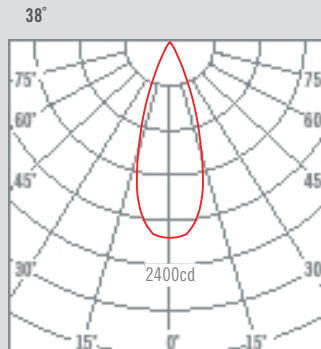
To track

ACCESSORIES

06193 -	HONEYCOMB EYE ACCESSORY ø120
06196 -	SCULPTURAL LENS ACCESSORY EYE ø120
06199 -	SQUARE LENS ACCESSORY EYE ø120



cd / Kl m $\eta=84\%$
 - c0 - 180 - c90 - 270



cd / Kl m $\eta=85\%$
 - c0 - 180 - c90 - 270

QUALITY CERTIFICATES:

